


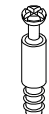

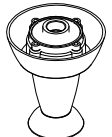
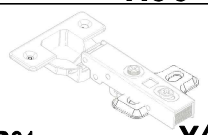


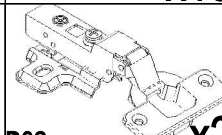


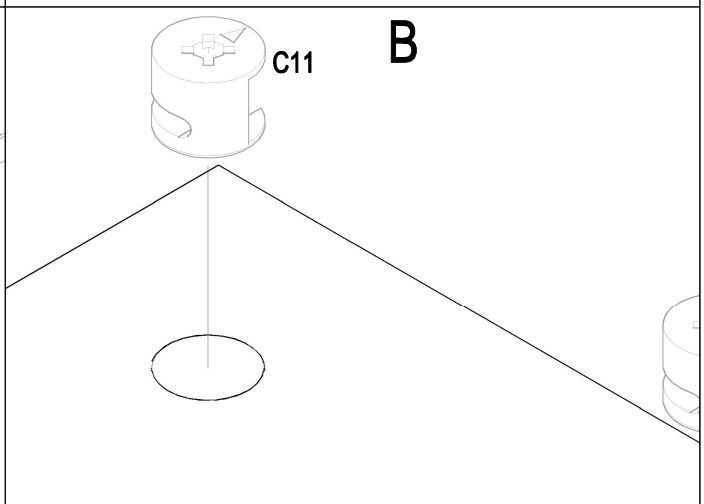
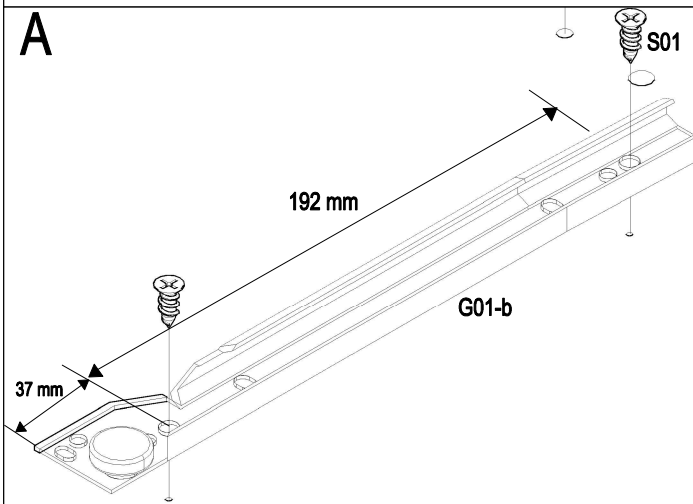
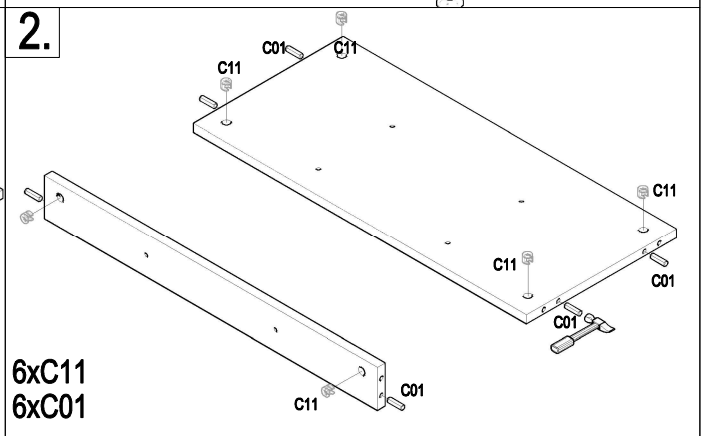
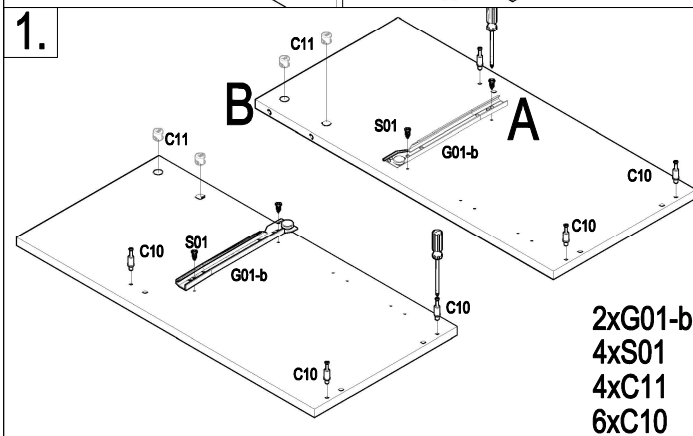
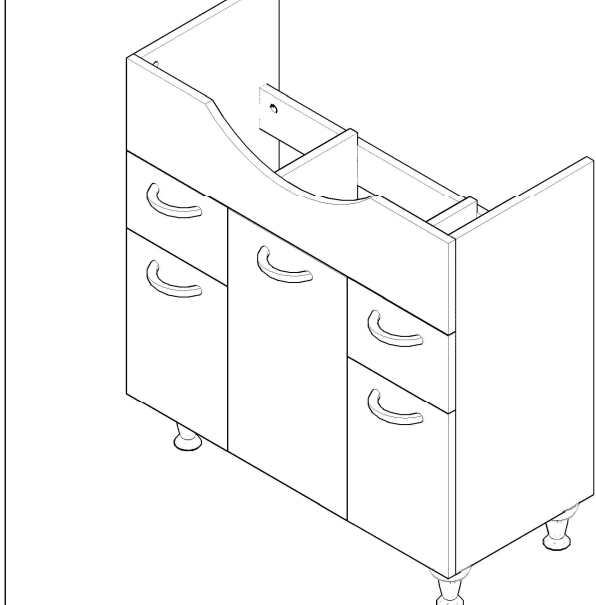
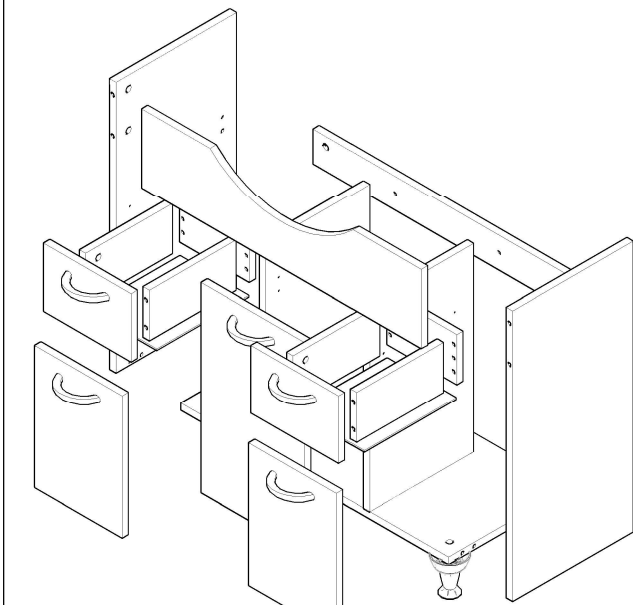
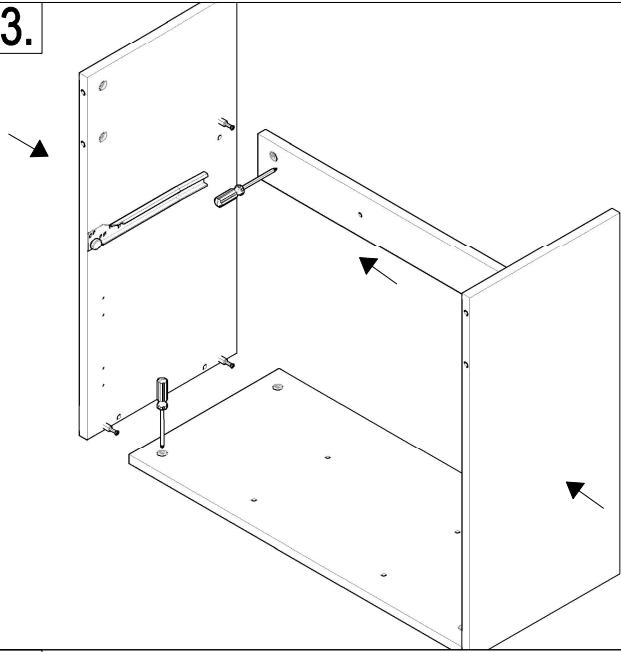


NR.24

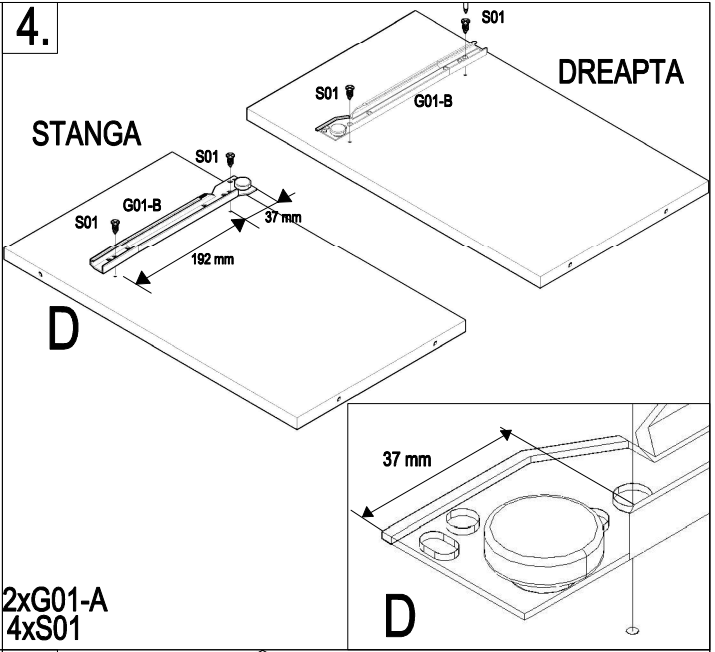
 S01 x60	 S11 x10	 C01 x14	 C10 x18	 C11 x18	 P01 x4
 B01 x4	 M01 x5	 S02 x10	 B02 x2	  G01 x2	



3.

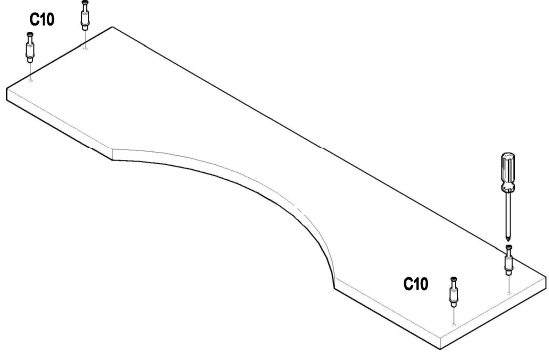


4.



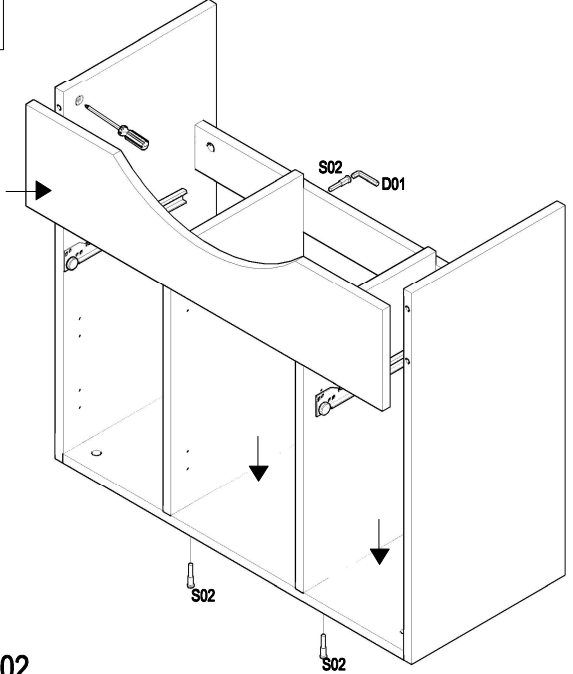
2xG01-A
4xS01

5.



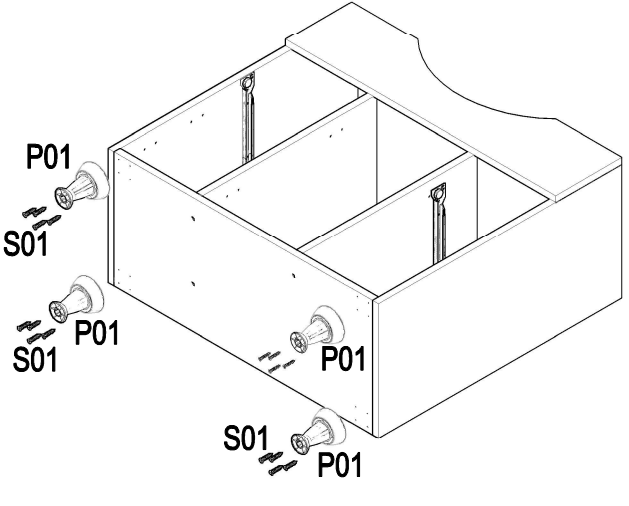
4xC10

6.



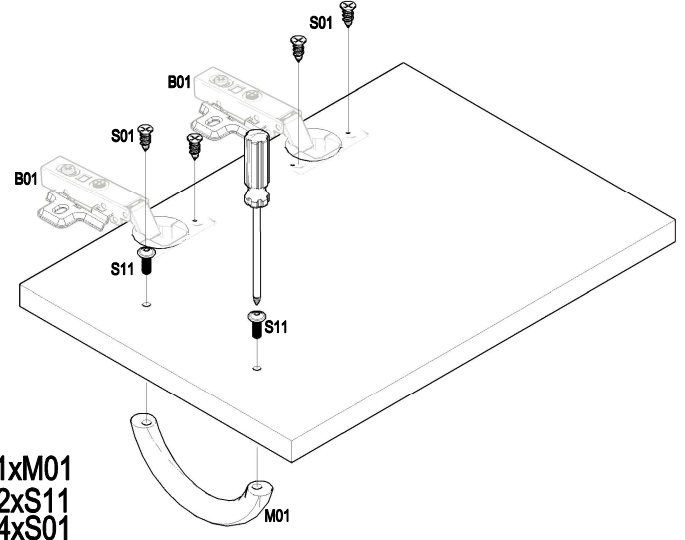
6xS02

7.



16xS01
4xP01

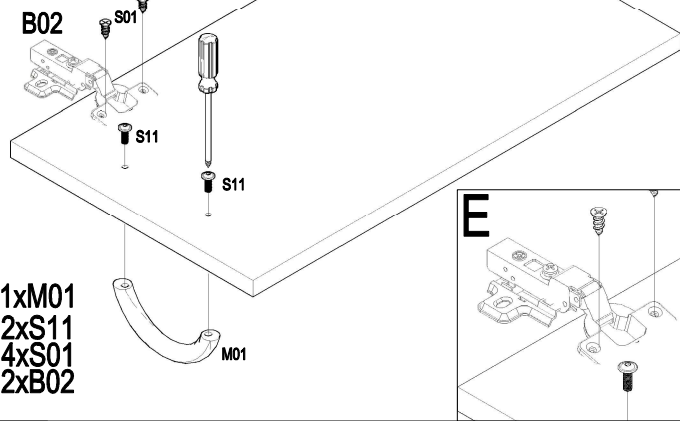
8. X 2



1xM01
2xS11
4xS01
2xB01

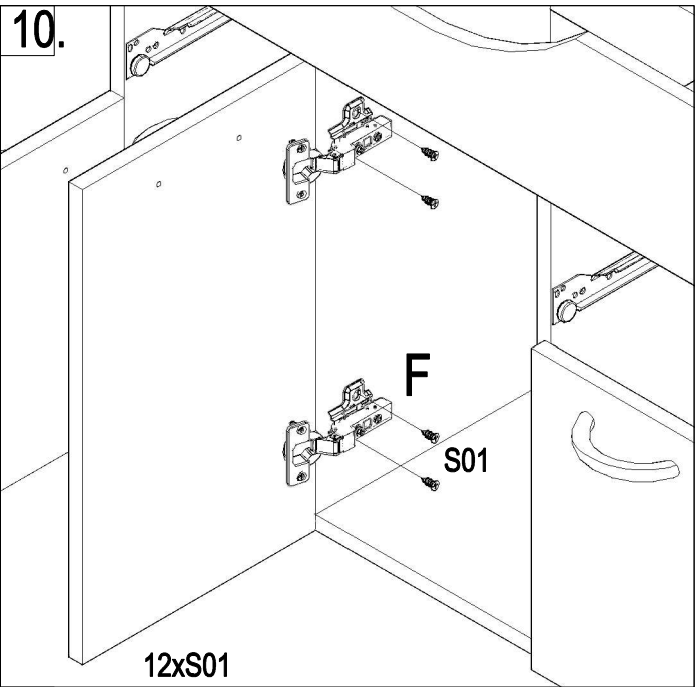
9.

BALAMA SEMIAPLICATA



- 1xM01
- 2xS11
- 4xS01
- 2xB02

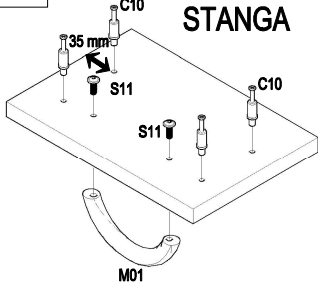
10.



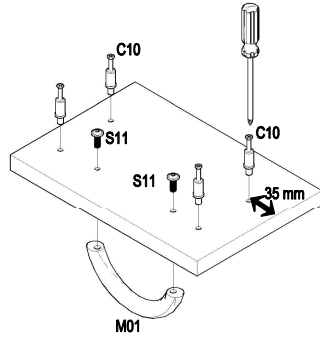
- 12xS01

11.

STANGA

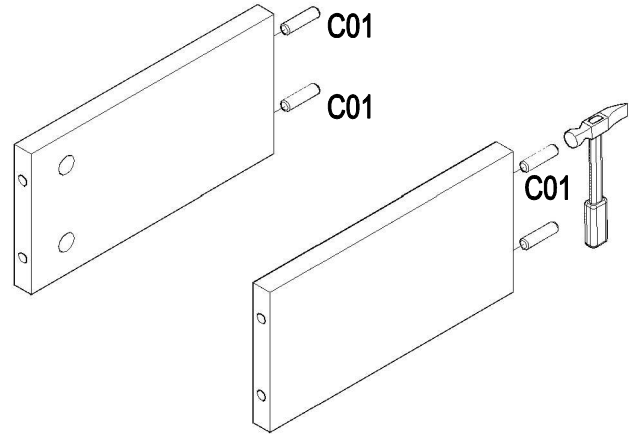


DREAPTA



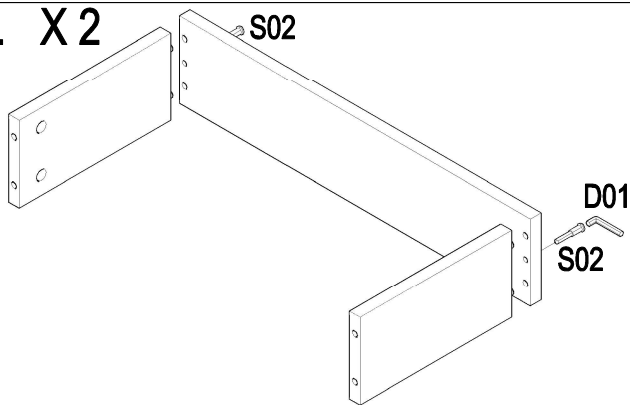
- 8xC10
- 2xM01
- 4xS11

12. X 2



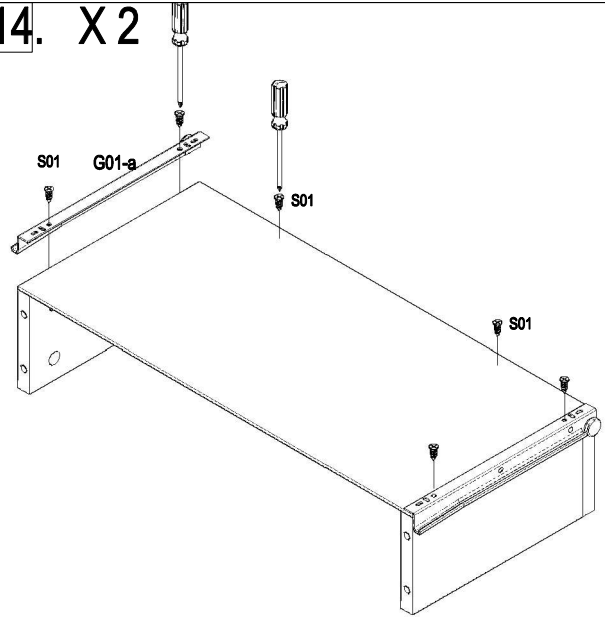
- 4xC01

13. X 2



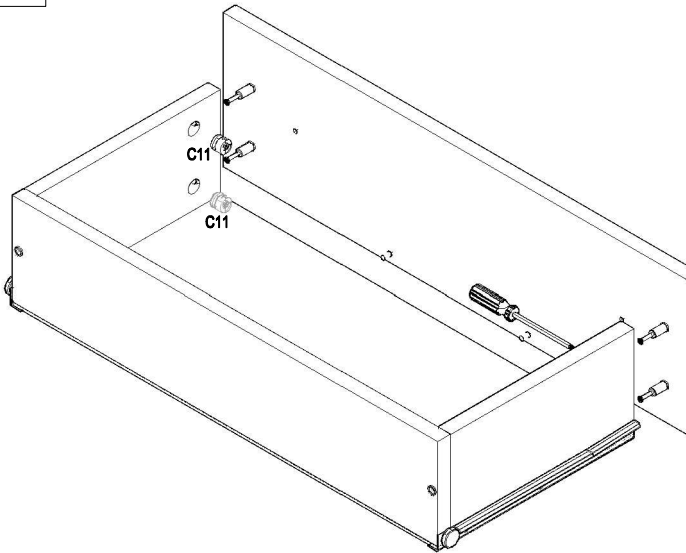
- 1xD01
- 2xS02

14. X 2



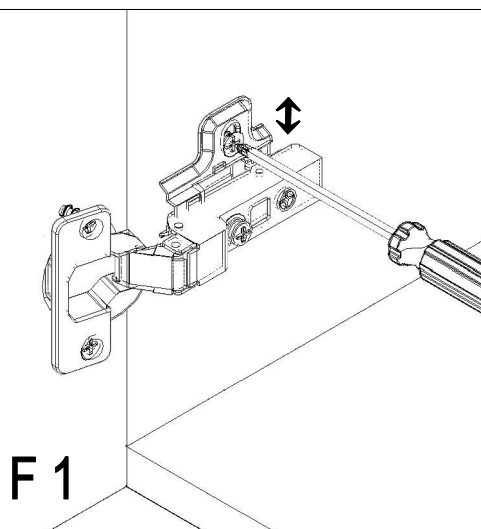
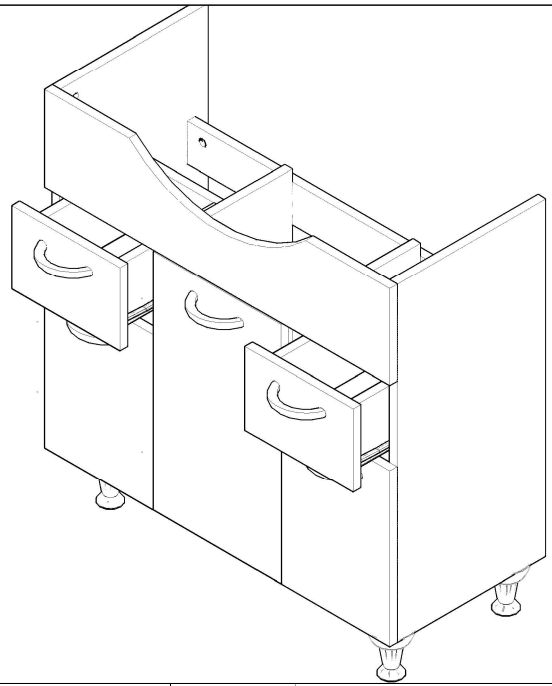
- 2xG01-a
- 6xS01

15. X 2



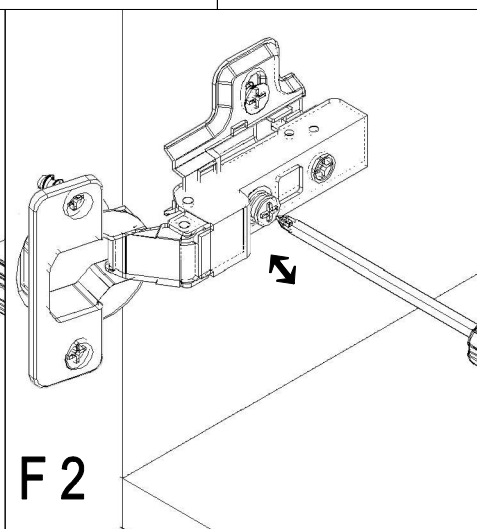
4xC11

16



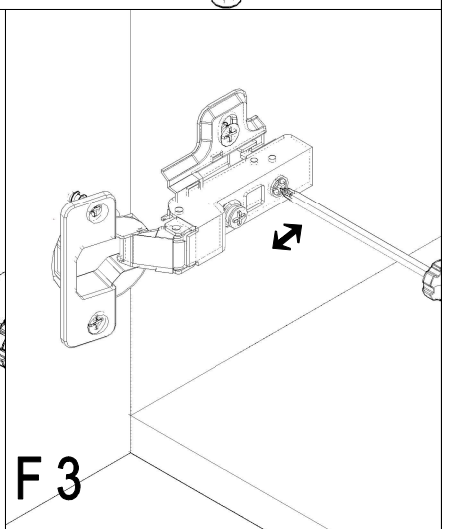
F 1

HEIGHT ADJUSTMENT



F 2

SIDE ADJUSTMENT



F 3

DEPTH ADJUSTMENT